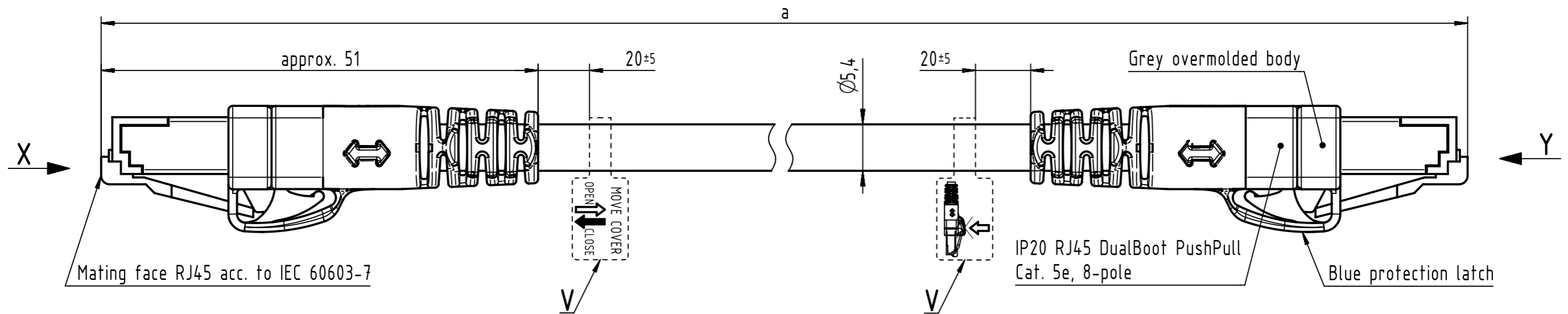
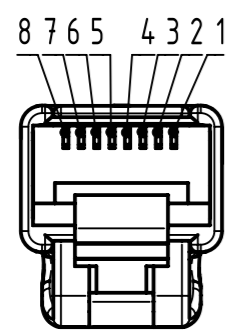


Connector Location A

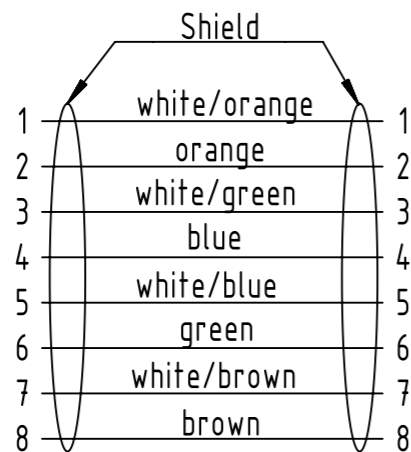
Connector Location B



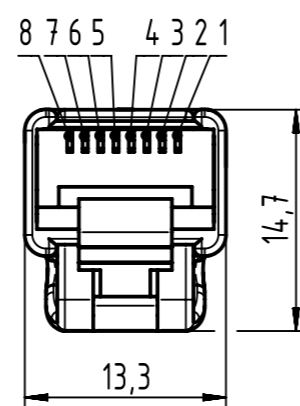
X male



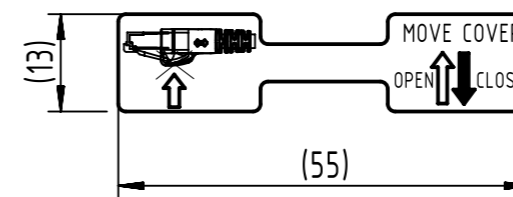
Loading Plan acc. to TIA/EIA 568B



Y male



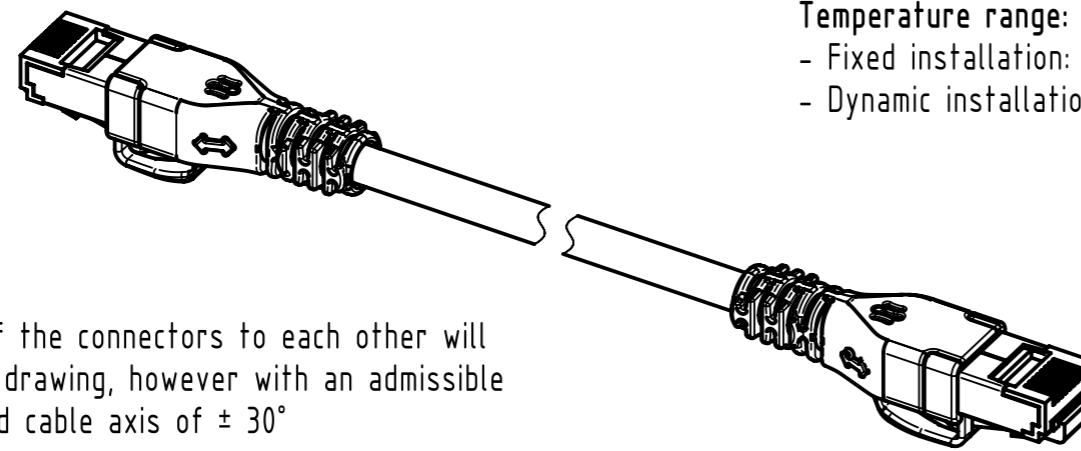
V Label



Temperature range:
 - Fixed installation: -20°C ... +60°C
 - Dynamic installation: 0°C ... +50°C

6.0 to 100	±1%
0.6 to 5.9	+0.04
0.2 to 0.5	+0.02
a [m]	Tolerance

length in "1m" step	100	XXX=000
	99	XXX=990
	.	.
	12	XXX=120
length in "0.1m" step	11	XXX=110
	10	XXX=100
	9.9	XXX=099
	9.8	XXX=098
	.	.
	0.5	XXX=005
	0.4	XXX=004
	0.3	XXX=003
	0.2	XXX=002
Step	a [m]	XXX



NOTE:
 * For lengths < 1.0m:
 - relative positioning of the connectors to each other will be as presented in the drawing, however with an admissible angular deviation around cable axis of ± 30°
 * For lengths ≥ 1.0m:
 -relative positioning of the connectors to each other not obligatory
 * Ethernet transmission possible for lengths up to 45m

Cat.5e FRNC Ethernet Cable, AWG26/7, F/UTP, blue	09488989598XXX
Type of cable	Part no.

All Dimensions in mm		Tech. Character.		Free size tol.		According to production drawing	
All rights reserved		Created by BANIUD Banciud	Inspected by COSTEA Costea	Standardisation MUNTEANV Muntean	Date 2019-04-12	State Final Release	
Department HCS - RO		Title DualBoot RJ45 PP FRNC Cat.5e blue				Doc-Key / ECM-Nr. 100578168/UGD/026/D 500000151689	
HARTING Customised Solutions D-32339 Espelkamp		Type TB	Number 09488989598XXX			Rev. D	Page 1/1